



# Anglian Lepidopterist Supplies

Specialising in  
moth traps and  
related equipment

Station Road  
Hindolveston  
Norfolk  
NR20 5DE

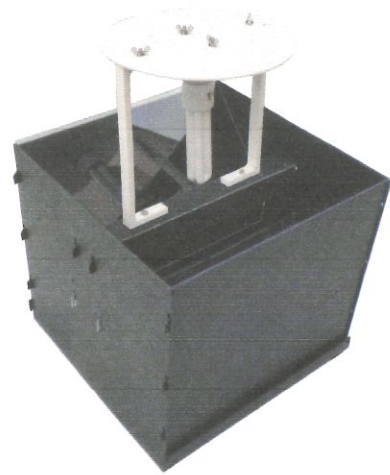
## The ALS 20w 12 volt Compact Skinner Trap

Thank you for purchasing the 12 volt 20w Compact Skinner Moth Trap.

To erect please follow the instructions sheet provided.

To insert the clear pieces of polycarbonate, follow the instruction sheet and ensure that they are curved to allow fitting correctly.

For optimum results, turn on at dusk and turn off at dawn. Place egg cartons in the bottom of the trap, moths will rest up on these. For best results, run the trap all night. When releasing the moths, please let go over a wide area otherwise bird predation may become a problem. To access the trap, lift large pieces of clear polycarbonate.



**Warning.** This lamp can cause skin burns and eye inflammation from short-wave ultraviolet radiation if the outer envelope of the lamp is broken or damaged in any way and is continued to operate. If the envelope is damaged remove the lamp and replace. For personal safety we recommend the use of UV sunglasses if working next to the trap at night (alternately we offer clear UV safety glasses - UV01). UV sun block may also be necessary for sensitive skin.

If using with a lithium battery, place in a plastic container such as a sandwich box for extra waterproofing

### Care of the 20w Compact Actinic Bulb and fittings

- When fitting the bulb, ensure that it is handled at the base and not by the glass envelope as this can be fragile.
- Do not carry by the leads
- Do not coil the leads
- Do not modify leads or connections as this will void any warranty
- Do not place heavy items on the trap when in the stored position or leave in direct hot sunlight (as in cars or glass houses) as this may warp the walls of the moth trap.

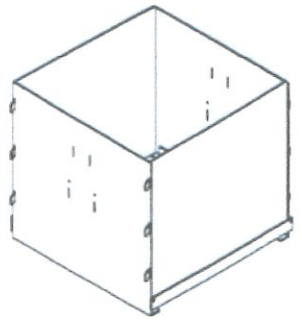
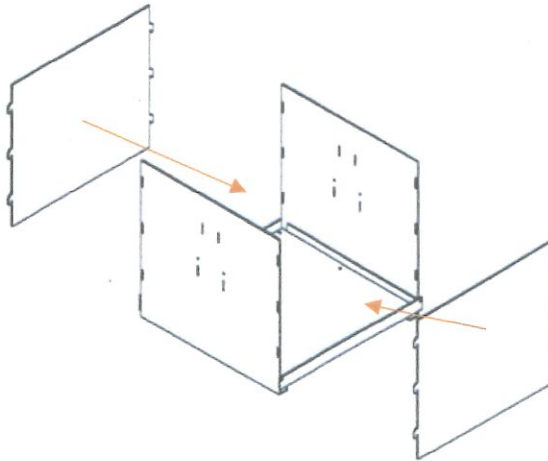
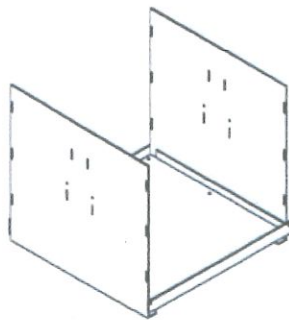
### Trouble shooting:

- Bulb fails to light ~ Loose connection.
- Faulty Bulb ~ Replace lamp

For useful tips on moth trapping browse our web site and find [The ALS Guide to Moth Trapping](#). For helpful images of moths try [www.ukmoths.org.uk/](http://www.ukmoths.org.uk/)

# ALS COMPACT SKINNER TRAP ASSEMBLY INSTRUCTIONS

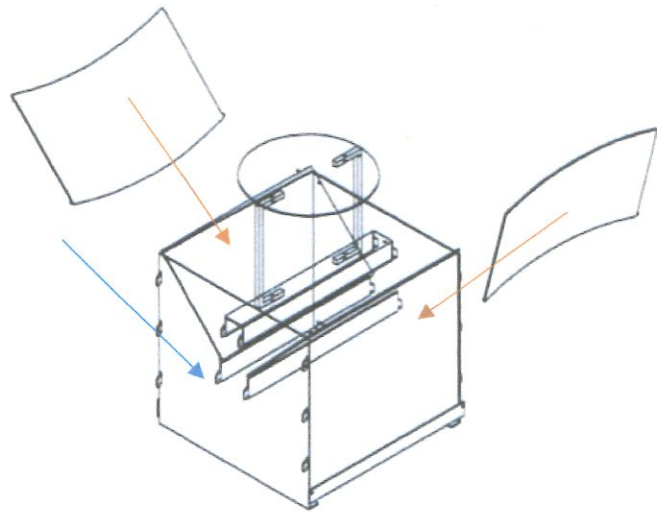
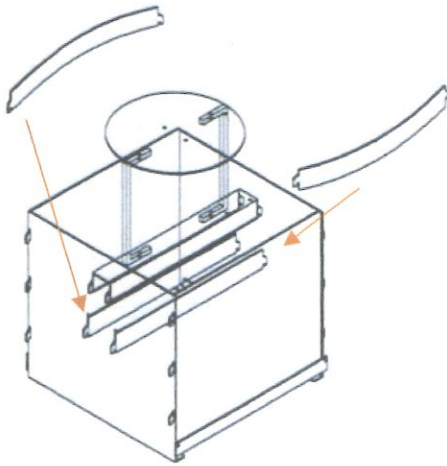
1 Open the two side panels and insert sides three and four



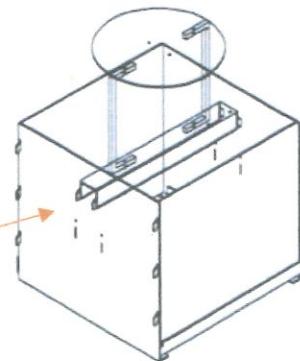
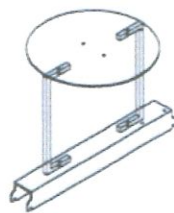
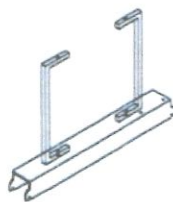
2 Insert the two thin pieces of polycarbonate by bowing slightly then sliding into place.

Note: To insert these sheets, please bow or curve very slightly to fit correctly as in the diagram. Do not over bend.

3 Insert the large pieces of polycarbonate again by bowing the sheets making sure the tabs (shown by the blue arrow) align with the holes in the wall of the moth trap. If this is not adhered to then insertion will be difficult.



4 Attach the light board then affix the rain guard top. **Note:** the light board is formed to its correct shape when slotted into position. Once your trap is formed screw in the bulb (do not screw in by holding the glass envelope but by its base) **TO MOVE THE TRAP, LIFT BY THE SIDES WHERE THE LIGHT BOARD ATTACH, THIS WILL KEEP THE TRAP ALL TOGETHER NEATLY**





# MOTH TRAP SAFETY

**IMPORTANT:** PLEASE READ THESE INSTRUCTIONS CAREFULLY. NOTE THE SAFE OPERATIONAL REQUIREMENTS, WARNINGS & CAUTIONS. USE THE PRODUCT CORRECTLY AND WITH CARE FOR THE PURPOSE FOR WHICH IT IS INTENDED. FAILURE TO DO SO MAY CAUSE DAMAGE AND/OR PERSONAL INJURY AND WILL INVALIDATE THE WARRANTY. KEEP THESE INSTRUCTIONS SAFE FOR FUTURE USE.

## **ELECTRICAL SAFETY**

**WARNING!** it is the user's responsibility to check the following:

Check all electrical equipment and appliances to ensure that they are safe before using. inspect power supply leads, plugs and all electrical connections for wear and damage. We recommend that an RCD (residual current device) is used with all electrical products. You may obtain an RCD by contacting Anglian Lepidopterist Supplies.

Electrical safety information, it is important that the following information is read and understood.

Ensure that the insulation on all cables and on the appliance is safe before connecting it to the power supply.

Regularly inspect power supply cables and plugs for wear or damage and check all connections to ensure that they are secure.

**Important:** Ensure that the unit voltage rating suits the power supply to be used.

**DO NOT** allow the control box to be submersed in water.

IP56 rated enclosures: Protected from limited dust ingress. Protected from high pressure water jets from any direction.

**DO NOT** pull or carry the appliance by the power cable.

**DO NOT** pull the plug from the socket by the cable. Remove the plug from the socket by maintaining a firm grip on the plug.

**DO NOT** use worn or damaged cables, plugs or connectors. Ensure that any faulty item is repaired or replaced immediately by a qualified electrician or contact ALS who can assist with repairs/replacements.

230V AC mains moth traps with a UK 3 pin plug are fitted with a 3 Amp BS1362 fuse.

If the cable or plug is damaged during use, switch the electricity supply off and remove from use.

We recommend that repairs are carried out by a qualified electrician or the manufacturer.

## **GENERAL SAFETY**

**WARNING!** Always disconnect the unit from power source before handling and performing any maintenance.

**WARNING!** The unit must not be connected to power when changing lamps. Never put fingers into the lamp holder. Most moth traps give out 230VAC on the output to the lamp.

**WARNING!** UV Light: Protective eyewear should be worn. Never look directly at the lamp.

**DO NOT** allow children to use the lamp.

Maintain the unit in good condition.

**DO NOT** use if any part of the unit is damaged.

When not in use store the unit in a safe, dry, childproof location.

**WARNING!** ensure Health and safety, local authority and general workshop practice regulations are adhered to when using this light.

**WARNING:** *The warnings, cautions and instructions discussed in this instruction manual cannot cover all possible conditions and situations that may occur. It must be understood that common sense and caution are factors which must be applied by the competent operator.*

**NOTE:** *It is our policy to continually improve products and as such we reserve the right to alter data, specifications, and component parts without prior notice.*

**IMPORTANT:** No liability is accepted for incorrect use of this product.

**WARRANTY:** Guarantee is 12 months from purchase date.

### Environmental Protection



Recycle unwanted materials instead of disposing of them as waste. All tools, accessories and packaging should be sorted, taken to a recycling centre and disposed of in a manner which is compatible with the environment.

When the product becomes completely unserviceable and requires disposal, drain off any fluids (if applicable) into approved containers and dispose of the product and the fluids according to local regulations.

### WEEE Regulations



Dispose of this product at the end of its working life in compliance with the EU Directive on Waste Electrical and Electronic Equipment (WEEE). When the product is no longer required, it must be disposed of in an environmentally protective way. Contact your local solid waste authority for recycling information.

